

Model 5400 CRYOPress Treatment Table

This specialty treatment table is the ultimate companion our Model 3000 CRYOPress.

Together they provide a comfortable and efficient treatment station and their footprint duplicates that of a standard treatment table.

Standard features include an adjustable back support, modality drawer, and storage shelf.

**Solid Oak Construction**

All DURALast furniture is constructed of premium Appalachian hardwoods. Red Oak with natural finish is standard. Other species of wood such as cherry, white oak, and maple are also available along with a variety of stained finishes.

Durable Upholstery Fabric

The highest rated healthcare grade fabric is used to upholster all DURALast treatment surfaces. This vinyl is formulated to withstand a lifetime of treating athletes. It is bacteria (Staph), oil, and bleach resistant to tolerate repeated cleaning. Vitality Black is the standard color. A large variety of additional colors and patterns are available.

Comfortable 2-inch Foam Padding

Treatment surfaces are comfortable as well as durable. Athletes experience the comfort provided with two inches of firm foam padding.

Adjustable Leveling Feet

Heavy-Duty leveling feet can be adjusted to accommodate uneven surfaces and protect your floor covering.

No Assembly Required

DURALast products are built at our factory as a solid piece of furniture and shipped completely assembled. This allows us to provide a more substantial product that lasts a lifetime and is simple to install.

Lifetime Warranty

The DURALast warranty applies to purchaser and any subsequent owner. Grimm Scientific Industries, Inc. (warrantor) warrants this product to be free from defects in material and workmanship under normal use for the life of the product. The warrantor may opt to replace the product, rather than repair it. This warranty does not cover damage resulting from accidents, improper use, or maintenance of this product, and in no case shall warrantor's liability exceed the original purchase price paid for the product. This warranty is expressly in lieu of all other express warranties.

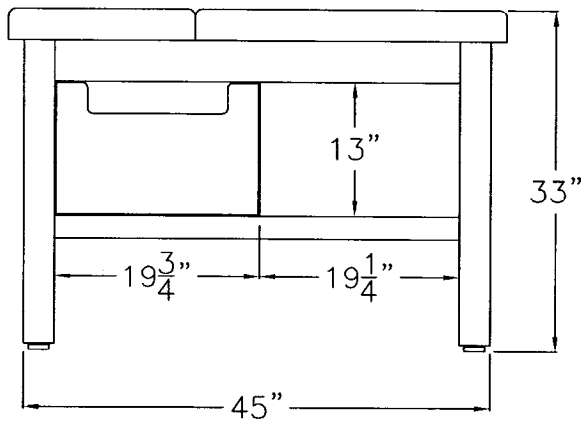
Installed Options

- #0503 Dual Drawers
- #0506 Team Logo

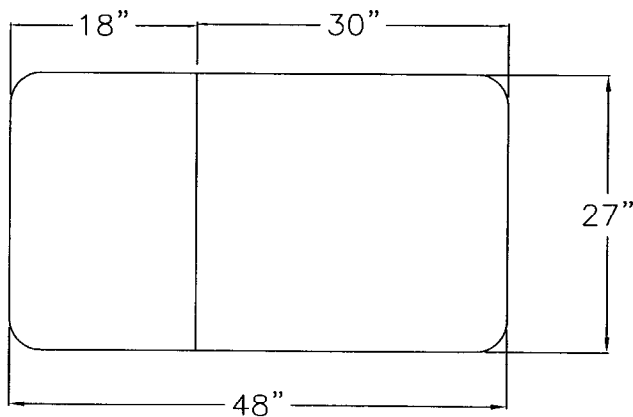
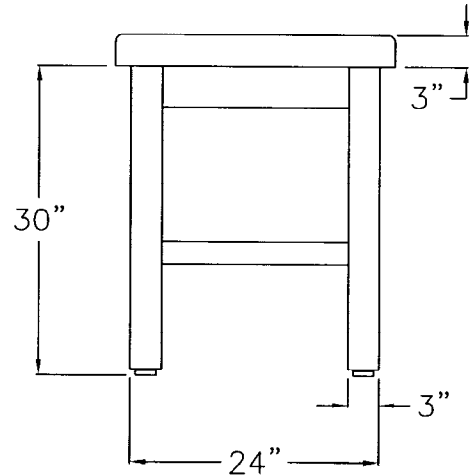


Specifications

Front View



End View



Top View

- Wood.....Red Oak
- Stain.....Natural
- Fabric.....Vitality Black
- Foam Pad.....2-Inch
- Load Rating.....600 Pounds

Contact Us:

Grimm Scientific Industries, Inc
 P.O. Box 2143
 Marietta, OH 45750

Phone....800-223-5395
 Fax.....740-374-3412
 E-mail....grimm@ee.net

